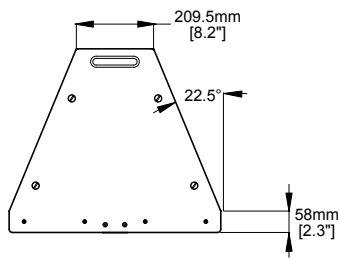
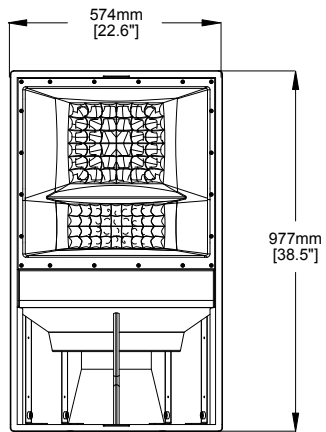


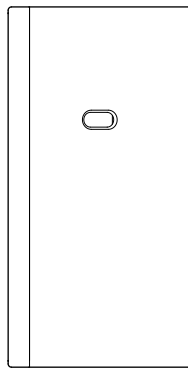
TOP



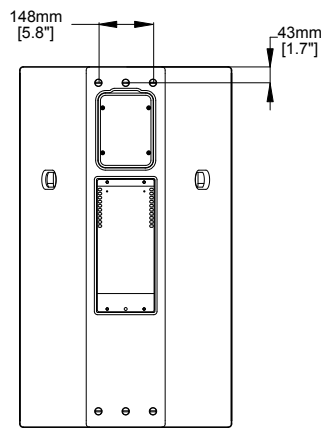
BOTTOM



FRONT



SIDE



REAR