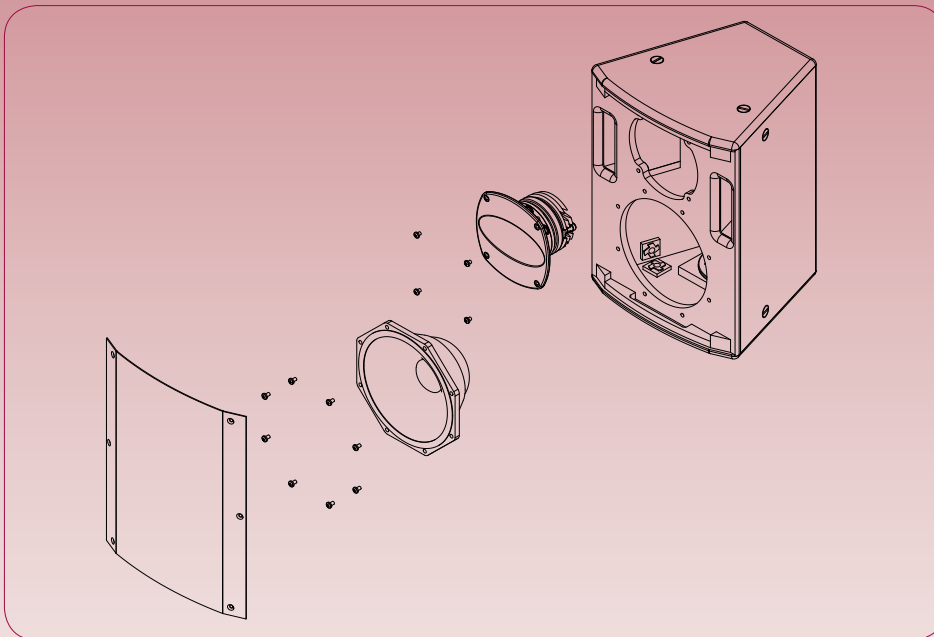



COMPACT series

Created to be equally at home either on the road or in permanent installations, the COMPACT series of passive loudspeaker systems offers a range of four two-way mid/high models and two complementary subwoofers.

The COMPACT series delivers exceptional performance derived from Turbosound's unmatched experience at the cutting edge of the live sound market over the last three decades. With features such as Converging Elliptical Waveguide™ for wide audience coverage, Speakon and barrier strip connectors as standard, plus a concealed pole mount socket and a multitude of internal rigging points, the COMPACT series is backed by a comprehensive warranty to ensure lasting quality.

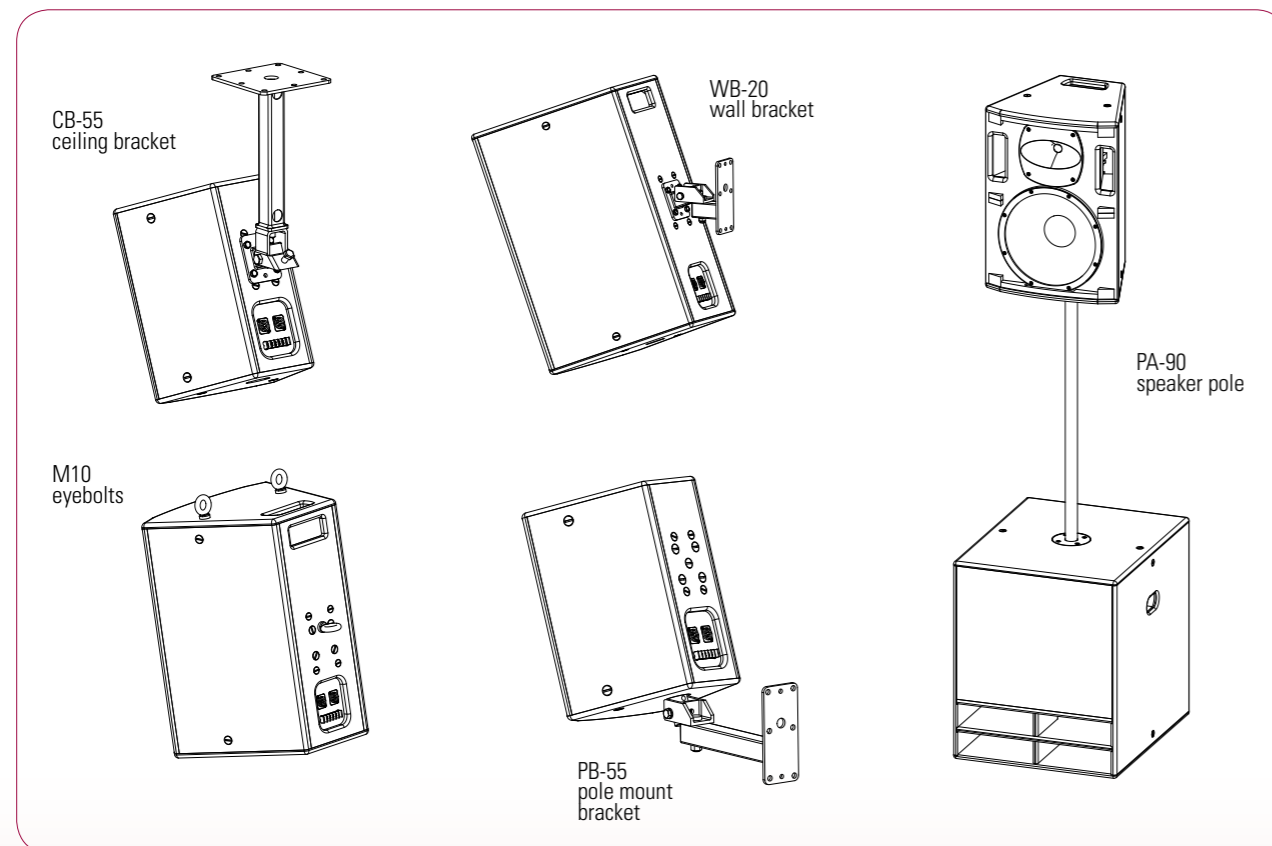


- **Portable use or fixed installations**
- **Rotatable Converging Elliptical Waveguide™**
- **Speakon NL4 and barrier strip connectors**
- **Pole mount socket**
- **Internal M10 rigging points**
- **OmniMount™ compatible**
- **Black or white textured paint**
- **Custom colour options**
- **EASE GLL data file supported** 

Compact cabinets are fitted with a range of internal rigging options

Compact series loudspeakers are equipped with multiple internal M10 rigging points which can be used to permanently install the cabinets in a variety of ways. The rigging points on the rear of the cabinet are designed to couple with a range of Turbosound wall and ceiling brackets, which are fully adjustable both horizontally and vertically. The rear panel also provides additional rigging points that are compatible with OmniMount™ wall and ceiling brackets. The universal PB-55 pole bracket provides a further method of wall mounting Compact series mid/high cabinets that are equipped with a pole

mount socket. Compact series cabinets can also be simply suspended in permanent installations using M10 shoulder eyebolts attached to the rigging points on the top or bottom of the cabinet, with the centre rigging point on the rear panel being used as a pull-back. Concealed pole mount sockets are fitted to all mid/high cabinets and can be accessed simply by removing the blanking plate on the bottom, and this allows them to be used with standard 35mm speaker poles on top of Compact series subwoofers, and on tripod stands, for many types of portable applications.



TCX-8

ULTRA-COMPACT PASSIVE TWO-WAY LOUDSPEAKER

A very compact passive full-range two-way loudspeaker designed for a wide range of portable and fixed installation applications. The TCX-8 consists of an 8" reflex-loaded low frequency driver and a 1" HF compression driver on a wide dispersion Converging Elliptical Waveguide™, which generates a smooth wavefront while giving excellent pattern control. The HF horn can be rotated through 90° within the cabinet, so allowing a swap of the horizontal and vertical dispersion patterns. Speakon NL4 and barrier strip connectors are provided to easily accommodate both portable and installed use, and a range of internal rigging points are provided that are compatible with Turbosound wall and ceiling brackets, OmniMount™ brackets and M10 eyebolts.



TCX-10

COMPACT PASSIVE TWO-WAY LOUDSPEAKER

The TCX-10 is a passive full-range two-way loudspeaker designed for use in many types of portable speech and music applications. The 10" reflex-loaded low frequency driver is matched with a 1" HF compression driver on a wide dispersion rotatable Converging Elliptical Waveguide™. When permanently installed the cabinet presents a discreet appearance with no visible side handles, while for portable applications the cabinet can be used on speaker stands and poles. The rear panel carries both Speakon and barrier strip connectors, and the cabinet is equipped with internal rigging points for use with Turbosound brackets, OmniMount™ speaker hardware, and M10 eyebolts.



TCX-12

PASSIVE TWO-WAY LOUDSPEAKER

The TCX-12 is a passive full-range two-way loudspeaker consisting of a 12" LF driver and a 1" HF compression driver on a rotatable wide dispersion Converging Elliptical Waveguide™. Equally suited to portable live sound or fixed installations, the TCX-12 delivers wide frequency response for many stand-alone applications. Its 90°h x 60°v CEW™ horn can be rotated through 90° within the cabinet, allowing a swap of the horizontal and vertical dispersion patterns. The trapezoidal cabinet includes internal rigging points for use with Turbosound wall and ceiling brackets, and provides compatibility with OmniMount™ mounting brackets.



TCX-15

PASSIVE TWO-WAY LOUDSPEAKER

The TCX-15 is the largest passive two-way loudspeaker in the Compact series, and features a 15" LF driver and a 1" HF compression driver on a rotatable wide dispersion Converging Elliptical Waveguide™. When permanently installed the trapezoidal cabinet presents a discreet appearance, while for portable applications a pole mount socket is provided for use with speaker stands and poles. Speakon NL4 and barrier strip connectors are provided on the rear panel, which also carries internal rigging points for use with Turbosound wall and ceiling brackets as well as OmniMount™ loudspeaker mounting brackets.



TCX-15B

BANDPASS SUB-BASS LOUDSPEAKER

The TCX-15B is a bandpass sub-bass loudspeaker designed to complement Compact series mid/high cabinets in a wide range of portable speech and music sound reinforcement applications. It consists of a 15" low frequency driver in a bandpass loaded enclosure designed for extended low frequency response. Constructed from 5/8" (15mm) birch plywood, the cabinet is available in black or white textured paint as standard, and includes internal rigging points that allow it to be suspended in permanent installations using M10 eyebolts. A top-mounted pole socket is provided to allow two-way cabinets to be mounted at the correct height above the subwoofer. The rear connector panel provides two Speakon NL4 connectors for input and loop-out functions, wired in parallel with a 4-way barrier strip connector.



TCX-18B

BANDPASS SUB-BASS LOUDSPEAKER

The TCX-18B is a bandpass sub-bass loudspeaker designed to complement Compact series mid/high cabinets in a wide range of portable speech and music sound reinforcement applications. It consists of a 18" low frequency driver in a bandpass enclosure designed for extended low frequency response. Constructed from 5/8" (15mm) birch plywood, the cabinet is available in black or white textured paint as standard, and includes internal rigging points that allow it to be suspended in permanent installations using M10 eyebolts. A top-mounted pole socket is provided to allow two-way cabinets to be mounted at the correct height above the subwoofer. The rear connector panel provides two Speakon NL4 connectors for input and loop-out functions, wired in parallel with a 4-way barrier strip connector.



Model	TCX-8	TCX-10	TCX-12	TCX-15	TCX-15B	TCX-18B*
Dimensions (h x w x d)	408 x 312 x 280mm 16.1" x 12.3" x 11"	488 x 370 x 332mm 19.2" x 14.6" x 13.1"	552 x 410 x 368mm 21.7" x 16.1" x 14.5"	652 x 470 x 422mm 25.7" x 18.5" x 16.6"	600 x 500 x 600mm 23.6" x 19.7" x 23.6"	838 x 469 x 440mm 33" x 18.5" x 17.3"
Net weight	9.5kg / 21lbs	13.5kg / 29.7lbs	19.5kg / 43lbs	24.5kg / 54lbs	35.5kg / 78lbs	40kg / 88lbs
Frequency range (±3dB) (±10dB)	100Hz – 20kHz 70Hz – 20kHz	100Hz – 20kHz 68Hz – 20kHz	100Hz – 18kHz 68Hz – 20kHz	85Hz – 18kHz 55Hz – 20kHz	35Hz – 125Hz 28Hz – 150Hz	35Hz – 150Hz 25Hz – 200Hz
Dispersion	90°H x 60°V	90°H x 60°V	90°H x 60°V	90°H x 60°V	n/a	n/a
Power handling (program)	400 watts	500 watts	600 watts	800 watts	2000 watts	2000 watts
Sensitivity (1w@1m)	94dB	95dB	97dB	99dB	95dB	94dB
Maximum SPL (cont./peak)	117dB / 123dB	119dB / 125dB	122dB / 128dB	125dB / 131dB	125dB / 131dB	124dB / 130dB
Crossover points	3k5Hz	2k5Hz	2kHz	2kHz	n/a	n/a
Nominal impedance	8 ohms	8 ohms	8 ohms	8 ohms	8 ohms	8 ohms
Construction	12mm (1/2") birch plywood	15mm (5/8") birch plywood	15mm (5/8") birch plywood	15mm (5/8") birch plywood	15mm (5/8") birch plywood	15mm (5/8") birch plywood
Connectors	2 x NL4MP 4-way barrier strip	2 x NL4MP 4-way barrier strip	2 x NL4MP 4-way barrier strip	2 x NL4MP 4-way barrier strip	2 x NL4MP 4-way barrier strip	2 x NL4MP 4-way barrier strip

Options TCX Compact series enclosures are finished as standard in black or white semi-matt textured paint; custom colours are available to special order

* provisional data

Compact series 03/10